

(Continued)

- Motorized devices may operate a bit slower when used in foreign countries. This is normal and will not harm your device.
- This Model V100 converter uses a Grounded European CEE 7/7 plug for use in: Austria, Belgium, Finland, France, Germany, Netherlands, Norway, Portugal, Spain, Sweden and many Eastern European countries. Grounded adaptor plugs are available for other countries. Contact your Voltage Valet dealer for the appropriate adaptor plug.
- The Voltage Valet 100 Watt Grounded Voltage Converter accepts grounded North American plugs and continues the ground to the foreign electrical outlet.

ONE YEAR WARRANTY

We guarantee each new converter to be free from defects in material or workmanship and to perform under normal use and service. This guarantee shall run for a period of one year from the date of purchase, and obligations under this guarantee are limited to remedying any defect or replacing any defective converter and shall be effective only if the defective unit is returned to us within 12 months after purchase. Damage due to abuse, misuse, or overloading is not covered by this guarantee. We shall not be responsible for any other loss or damage that may arise through the use by a purchaser or others of this device, and the purchaser assumes such responsibility and will hold Hybrinetics, Inc. harmless in respect to all such loss or damage.

Important: This is a factory direct warranty. Do not return defectives to your retailer. All defectives must be returned to the factory accompanied by a sales receipt with the original date of purchase. For more information please call our toll free number: (800) 247-6900.

Voltage Valet Division, Hybrinetics, Inc.
225 Sutton Place, Santa Rosa, CA 95407

©2000 Hybrinetics, Inc.

VOLTAGE VALET™ 100 Watt Grounded Foreign Voltage Converter

Model V100

Input: 220/240 VAC Output: 110/120 VAC
Maximum Wattage: 100 Watts



Instruction Manual

Read instructions before using this appliance

GENERAL INFORMATION

The Model V100 converts 220/240 volt foreign electricity to North American standard 110/120 volts. Its grounded step-down transformer produces a true sine wave output for use with electronic devices rated up to a maximum of 100 watts. See examples below.

Answering Machines

Battery Chargers for:

Portable Computers, Camcorders, Cordless Telephones, Power Tools

Health Appliances

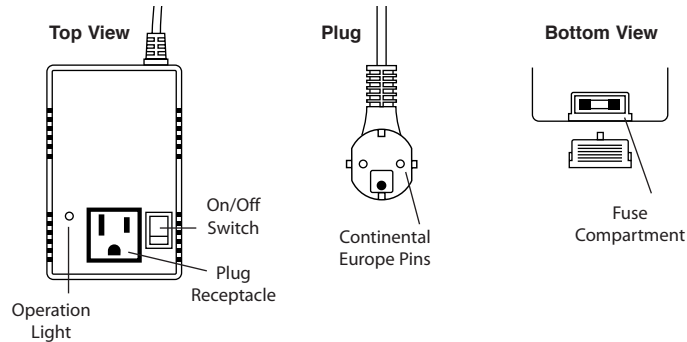
Portable Computers and Peripherals:
Monitors, Printers, External Storage Devices

Portable Fax Machines

Mini Stereo Systems

Small Personal Appliances

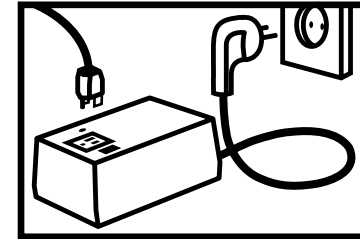
DO NOT USE with **ANY** electronic devices, whether listed above or not, that require more than 100 watts.



INSTRUCTIONS

How to use your Voltage Valet 100 Watt Grounded Voltage Converter

1. Read all instructions before using converter.
2. Turn the ON/OFF switch on the voltage converter to the OFF position.
3. Insert plug from your



- 110/120 volt device into the converter plug receptacle. **NOTE:** Some wall mounted electronic devices may require the use of a short extension cord to clear the ON/OFF switch.
4. Plug converter into a 220/240 volt electrical outlet. Turn the ON/OFF switch to the ON position. The operation light will come on and you are ready to turn on your device. See above diagram. **NOTE:** If the operation light fails to illuminate replace the fuse. See figure below.
5. For best results unplug your converter from the wall outlet when not in use.

IMPORTANT. PLEASE READ.

- The Model V100 is equipped with a safety fuse that will "blow" if the converter is used with devices exceeding its 100 watt rating. If this occurs, unplug the converter from the electrical outlet and allow to cool. Replace fuse with a 1 Amp 250 Volt 5mm x 20mm slow blow fuse.
- Before using your Voltage Valet converter check to see if the electrical outlet is 100/110/120 volts or 220/240 volts. The converter will not work in a 100/110/120 volt outlet.